

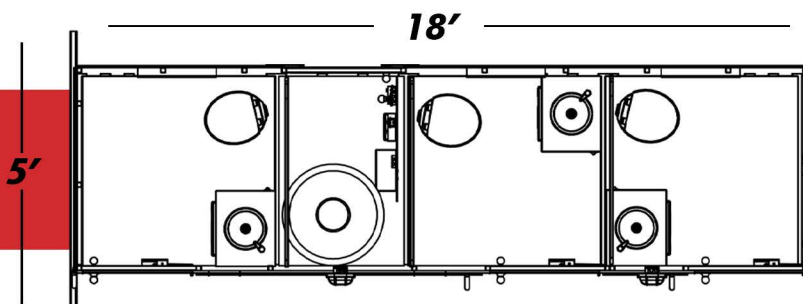
COMFORT STATION STRETCH 3

THE ULTIMATE IN SANITATION

ABOUT THE COMFORT STATION STRETCH 3



- ✓ **THE ONLY ALL-STEEL UNIT IN THE INDUSTRY**
- ✓ **5' X 18' FLOOR PLAN**
- ✓ **FULL COMFORT WITH HEATED INTERIOR AND WATER**
- ✓ **DESIGNED FOR DEMANDING ENVIRONMENTS**



**THE COMFORT STATION
STRETCH 3 HAS 3
SEPERATE ROOMS.**

CONSTRUCTION • MINES • REFINERIES • DISASTER RELIEF • WEDDINGS • VIP EVENTS



519-669-5720 | 1-866-457-5425
20 Martins LN, Elmira, ON, N3B 2A1

www.mckeetechnologies.com
info@mckeetechnologies.com

FEATURES

LAYOUT: Private Washroom, Utility Room

FRAME: Galvanized Steel Frame - 10"

SUSPENSION: Rubber Torsion 5200lb.

FRESHWATER: 200 USG

SEWAGE: 300 USG

FAUCETS: Self Closing, Water Saving

DISPENSERS: Paper Towel, Soap, Toilet Paper

HEATERS: 3x 1000w, 1x 750w, Optional A/C

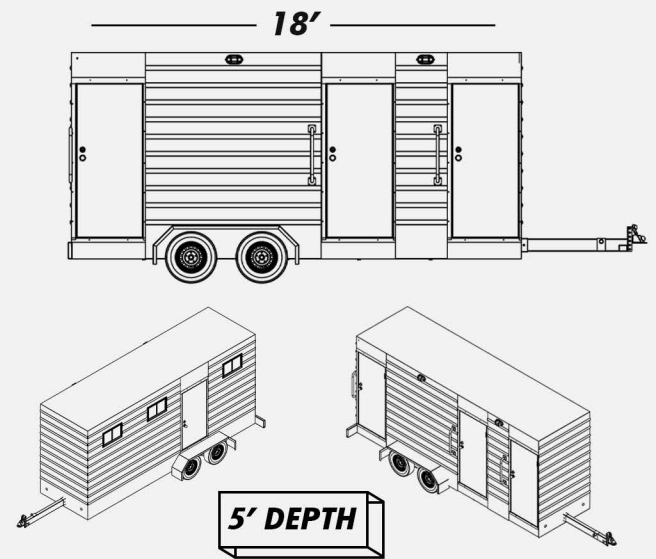
PORCELAIN: 2X Low Flush, 1x Optional Urinal

WATER PUMP: 110V On-Demand Pump

WATER HEATER: 8.5 Gallon Capacity - 500w

DIMENSIONS: 5' Wide, 13' Long, 9½' Tall

TRAILER: DOT Compliant



- ✓ Continuous Welded Leak-Proof Construction
- ✓ Heavy Gauge All Steel Exterior
- ✓ Insulated for Winter Use Galvanized Steel
- ✓ Sewage Holding Tank
- ✓ Propylene Water Supply Tank
- ✓ Steel Exterior Doors and Wall Frames
- ✓ Heavy Duty Suspension
- ✓ ST225/75R15 Radial Tires
- ✓ Four Corner Stabilizer Jacks
- ✓ 15 AMP 110V/115V Lights
- ✓ Water Pump, Water Heater
- ✓ 20 AMP 220V/240V Heaters

The Comfort Station Stretch 3 has a 5'x18' floor plan and is the only steel frame shell in the industry. It's perfect for when you need that extra restroom without the extra trailer. See why customers depend on our units to last!

519-669-5720 | 1-866-457-5425

www.mckeetechnologies.com

20 Martins LN, Elmira, ON, N3B 2A1

info@mckeetechnologies.com