

COMFORT STATION

SINGLE

THE ULTIMATE IN SANITATION

ABOUT THE COMFORT STATION SINGLE



- ✓ **THE ONLY ALL-STEEL UNIT IN THE INDUSTRY**
- ✓ **5' WIDE X 5' LENGTH**
- ✓ **FULL COMFORT WITH HEATED INTERIOR AND WATER**
- ✓ **DESIGNED FOR DEMANDING ENVIRONMENTS**



**THE COMFORT STATION
SINGLES CREATED WITH
HARSH CONDITIONS IN MIND.**

CONSTRUCTION • MINES • REFINERIES • DISASTER RELIEF • WEDDINGS • VIP EVENTS



☎ 519-669-5720 | 1-866-457-5425

📍 20 Martins LN, Elmira, ON, N3B 2A1

🌐 www.mckeetechnologies.com

✉ info@mckeetechnologies.com

FEATURES

LAYOUT: Private Washroom, Utility Room

FRAME: Galvanized Steel Frame - 10"

SUSPENSION: Rubber Torsion 5200lb.

FRESHWATER: 90 USG

SEWAGE: 130 USG

FAUCETS: Self Closing, Water Saving

DISPENSERS: Paper Towel, Soap, Toilet Paper

HEATERS: 2x 500w, Optional A/C

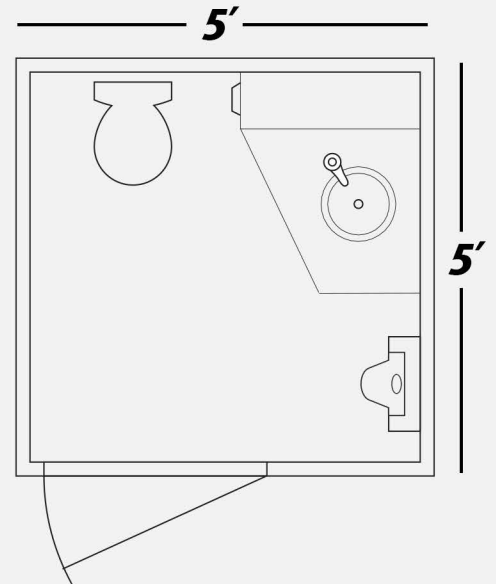
PORCELAIN: 1X Low Flush, 1x Urinal

WATER PUMP: 120V On-Demand Pump

WATER HEATER: 2 Gallon Capacity - 500w

DIMENSIONS: 5' Wide, 5' Long, 9'Tall

TRAILER: DOT Compliant



✓ Continuous Welded
Leak-Proof Construction

✓ Heavy Gauge All
Steel Exterior

✓ Insulated for Winter Use
Galvanized Steel

✓ Sewage Holding Tank

✓ Propylene Water Supply Tank

✓ Steel Exterior Doors and Wall Frames

✓ Heavy Duty Suspension

✓ ST225/75R15 Radial Tires

✓ Four Corner Stabilizer Jacks

✓ 15 AMP 110V/115V Lights

✓ Water Pump, Water Heater

✓ 20 AMP 220V/240V Heaters

The Comfort Station Single's heavy duty construction and detailed finish makes it a great choice for both special events and job sites. See why customers depend on our units to last!

☎ 519-669-5720 | 1-866-457-5425

🌐 www.mckee technologies.com

🏠 20 Martins LN, Elmira, ON, N3B 2A1

✉ info@mckee technologies.com